

FARGO

WARDROBE BUYING GUIDE



HOW TO MEASURE FOR A WARDROBE

Don't worry about the tricky assembly, these products are built and installed by a team of professional and experienced fitters.

THE SPACE YOU WILL NEED EITHER SIDE FOR ASSEMBLY

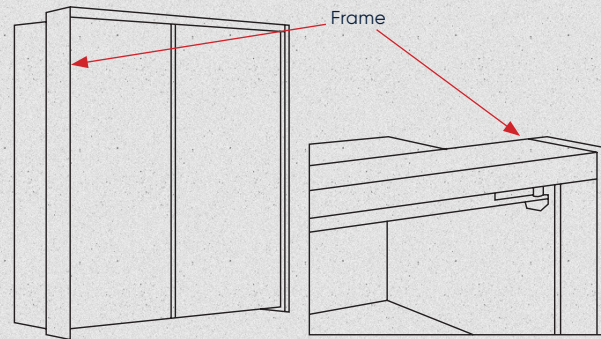
There are three measurements you need to take when sizing up for your new wardrobe: height, width and depth.

We suggest minimum 5cm clearance for any range that does not include a frame or a cornice. The handy image shows an example of a frame or cornice. Our Fargo hinged wardrobes are not fitted with a frame or cornice so it is important to have 5cm clearance either side and overhead.

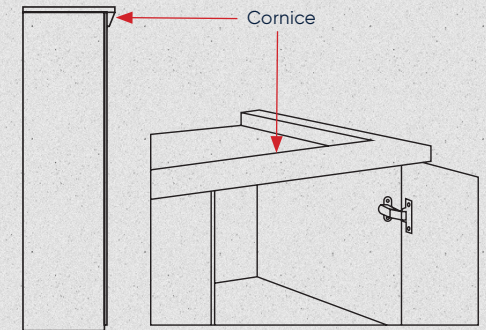
CLEARANCE - HINGED WARDROBE

Consider the floor space in front of your wardrobe, too. No wiggle room? No problem. Hinged doors require 50cm+ space for complete opening.

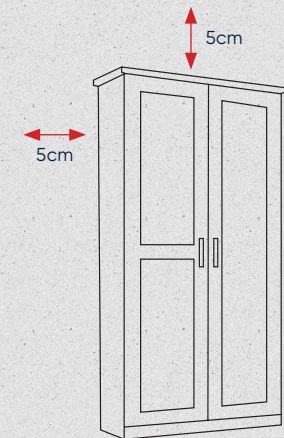
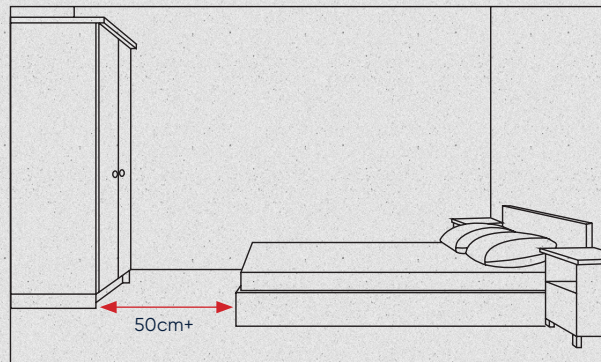
FRAME



CORNICE



CLEARANCE



THE FARGO RANGE

CONTEMPORARY AND SLEEK, THE FARGO COLLECTION IS IDEAL FOR MODERN LIVING

Each double compartment includes two matching shelves and a hanging rail. The single compartment which is featured on the medium and extra large wardrobes feature one matching shelf and a hanging rail.

CHOOSE YOUR FRAME & DOOR COLOUR

Frame colour



Door colour



CHOOSE YOUR HINGED WARDROBE

Size options in **ALPINE WHITE** with a choice of mirror doors. Colour option below shown in Alpine White with a mirror door.



Small

H213xW96xD57cm
Includes 2 shelves
& 1 hanging rail.



Medium

H213xW141xD56cm
Includes 3 shelves
& 2 hanging rails



Large

H213xW186xD56cm
Includes 4 shelves
& 2 hanging rails



X Large

H213xW231xD56cm
Includes 5 shelves
& 3 hanging rails

THE FARGO RANGE

COMPLETE THE LOOK WITH CO-ORDINATING CABINETS

CHESTS & CABINETS



Bedside

H43xW50xD33cm



Chest

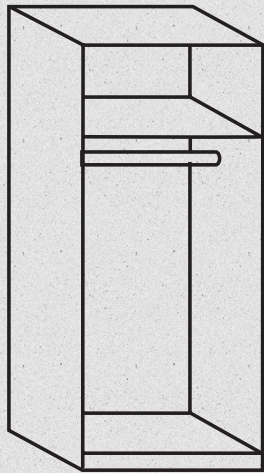
H89xW54xD42cm

INTERNAL ACCESSORIES

Now you have chosen the perfect wardrobe to fit your space and style, you need to review how the space inside will work for you. Each double compartment includes two matching shelves and a hanging rail. The single compartment which is featured on the medium and extra large wardrobes feature one matching shelf and a hanging rail. However if you prefer folding to hanging then you may want to add some extra shelves or internal drawers. Alternatively, if you have lots to hang, you may want additional rails. The below internal accessories are available in a range of sizes to suit every wardrobe and the handy matrix below shows you which ones fit where.

ACCESSORIES INCLUDED IN EACH COMPARTMENT

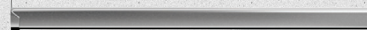
2x shelves and 1x hanging rail in each double compartment
1x shelf and 1x hanging rail in each single compartment



ADDITIONAL INTERNAL ACCESSORY

Internal accessories available in Large

HANGING RAIL



INTERNAL CHEST OF DRAWERS



SET OF 3 INTERNAL SHELVES



ACCESSORY MATRIX

The internal line drawing under each wardrobe image shows the accessories that will already be included in that size wardrobe. If you require additional accessories, the matrix shows which options fit in which wardrobe. As some wardrobes are made up of different sizes compartments, this may mean that more than one size of internal accessory may fit in that wardrobe. It is important to consider the set up you are hoping to achieve and review the compartment you are wanting to build into.

HINGED WARDROBE								
	 Small H213xW96xD57cm	 Medium H213xW141xD56cm	 Large H213xW186xD56cm	 XLarge H213xW231xD56cm				
Compartment Number & Size	C1 W90CM	C1 W90CM	C2 W45CM	C1 W90CM	C2 W90CM	C1 W90CM	C2 W45CM	C3 W90M
Set of 3 Internal Shelves Available in M & L 	Large M35202	Large M35202	Unavailable	Large M35202	Large M35202	Large M35202	Unavailable	Large M35202
Hanging Rail Available in M & L 	Large A35473	Large A35473	Unavailable	Large A35473	Large A354737	Large A35473	Unavailable	Large A35473
Internal Chest of Drawers Available in M & L 	Large M35205	Large M35205	Unavailable	Large M35205	Large M35205	Large M35205	Unavailable	Large M35205